

## Morrison's Public Address

Email: sales@morrisonssav.com.au

Phone: 94931196

Mobile: 0407442822



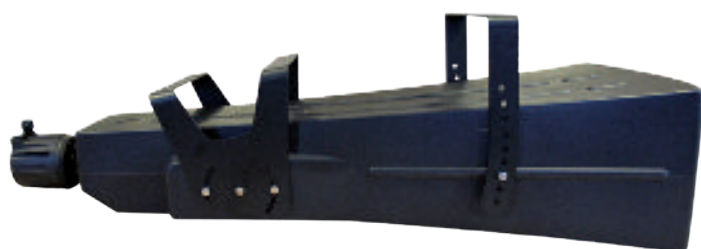
JBP-120



TRIC-6



BPF-660 IP



Tunnel-500 with Dup-40



DUP-40

# News

## **DNH designs and manufactures one of the world's largest range of loudspeakers.**

Since the company was established in 1946, DNH is renowned as a supplier of high quality products.

All DNH products are engineered and designed in Norway, and almost 90% are exported around the world.

In addition to the strong niche products such as flameproof, weatherproof, vandal-proof and shockproof speakers, DNH is known for its ability to tailor products according to the customers demands.

Due to the fact that DNH manufactures almost all the components of the speaker, "non-standard" requirements such as special colour, special transformers and different cable entries can be supplied.

## index

Plastic Horn Speakers	4-5
Metal Horn Speakers	6-7
Music Horn Speakers	8-9
Alarm Horn Speakers	8-9
Ex Speakers	10-11
Music Masters	12-13
Cabinet Speakers	14-15
Projectors	16-17
Metal Ceiling Speakers	18-19
Plastic Ceiling Speakers	20-21
Specialities	22-23
Voice Alarm	22-23
Clean Room Speakers	22-23

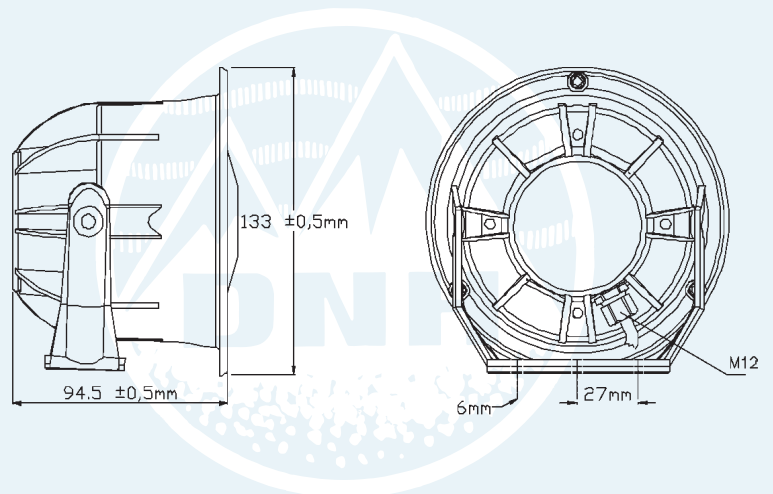


# Miniature Horn Speakers

*DNH proudly present this exciting range of high quality plastic horn loudspeakers. The HP series can be installed in all manner of harsh environments, both internal and external for public address and intercom uses.*

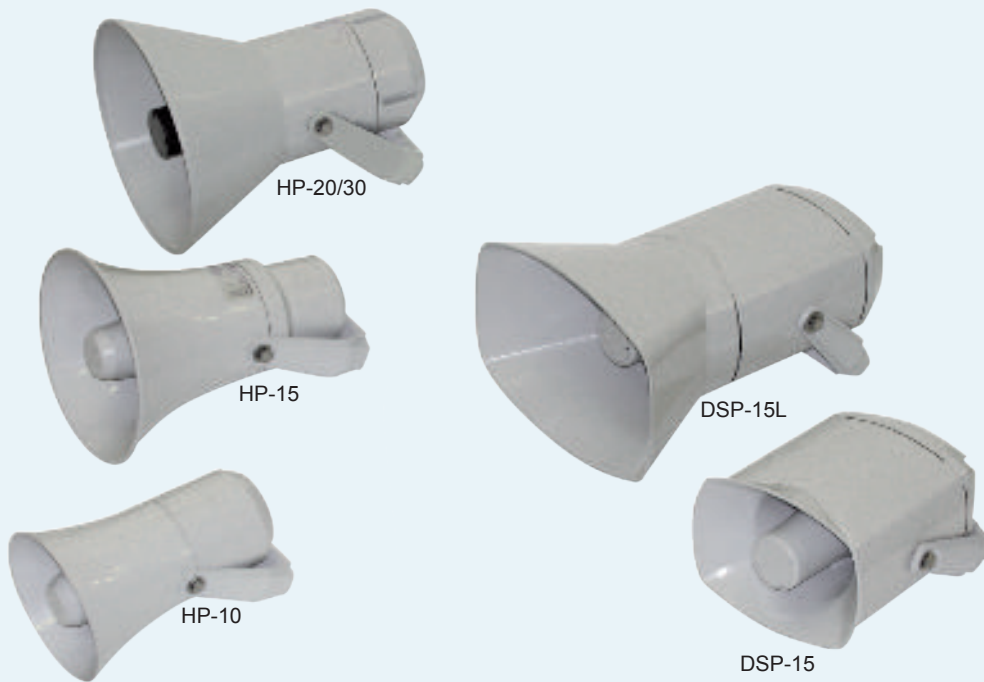
*Their frequency range and high sensitivity, combined with high corrosion resistance and pleasing design make the products stand out in terms of quality and performance.*

*Excellent for PA and alarm systems on ferries, railways, airports and industrial installations.*



Model	HP-6	HP-6C	HPS-6	HP-8	A-45	H-44
Material/Colour	PA/RAL 7035	PA/RAL 7035	PA/RAL 7035	PA/RAL 7035	Alu/PA/RAL 7035	Alu/PA/RAL 7035
Rated/max power, Watt	6W/ 15W	6W/ 15W	6W/ 15W	8W/ 15W	6W/10W	6W/10W
SPL/1W/1m(dB)	100 dB	100 dB	100 dB	101 dB	101 dB	101 dB
Effective freq.range, Hz	300-20000 Hz	300-20000 Hz	300-20000 Hz	300-20000Hz	300-20000Hz	300-20000Hz
Max/Min.amb.temp. (IP)	110°C/-40°C (67)	110°C/-40°C (67)	110°C/-40°C (67)	100°C/-50°C (67)	100°C/-50°C (67)	100°C/-50°C (67)
Dimensions, mm	Ø97x85	Ø97x132	121x121x118	Ø133x95,5	121x121x70	Ø120x70

# “The Sound Ambassador”



## Plastic Horn,References:

- Channel Tunnel Link, UK & France
- Nat West Tower Refurbishment Project in London
- Opel/Vauxhall plants in UK, Spain, Germany and Austria
- Bahia Plant, Brazil
- Munich Airport in Germany
- Carnival Cruise Line
- Royal Carribien Cruise Line
- Holland American Line
- United metallurgical company, Russia
- Federal State Unitary Enterprise "Mining an chemical Combine" Russia
- Titan-2 Holding, Russia
- Power plant Wilhelmshaven, Germany



DSP-15	DSP-15L	HP-10	HP-15	HP-20	HP30
ASA/RAL 7035	ASA/RAL 7035	ASA/RAL 7035	ASA/RAL 7035	PA/RAL 7035	PA/RAL 7035
15W	25W	10W/15W	15W/ 20W	20W/ 25W	30W/40W
106 dB	112 dB	106 dB	108 dB	110 dB	110 dB
330-8000 Hz	290-8000 Hz	410-8000 Hz	330-8000 Hz	310-8000 Hz	310-8000 Hz
90°C/-50°C (67)	90°C/-50°C (67)	90°C/-50°C (56)	90°C/-50°C (56)	150°C/-50°C (67)	150°C/-50°C (67)
186x247x144	349x272x201	Ø139x198	Ø200x247	Ø237x286	Ø237x286



# Metal Horn Speakers

The DNH aluminium horn series represents an extremely robust range of heavy duty horn speakers.

These speakers are renowned for both high reliability and superb efficiency, that makes them suitable for all industrial environments and public areas such as railway-stations, dockyards and manufacturing works.

HS-15S is designed to withstand external sound shocks. (>175dB)

The vandal-proof Safe-15 has been designed with a separate weatherproof internal compartment.

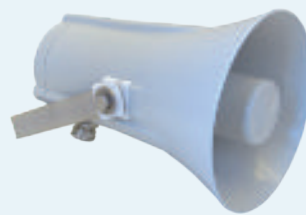
HSS-15 in stainless steel, is made to withstand extreme environments.



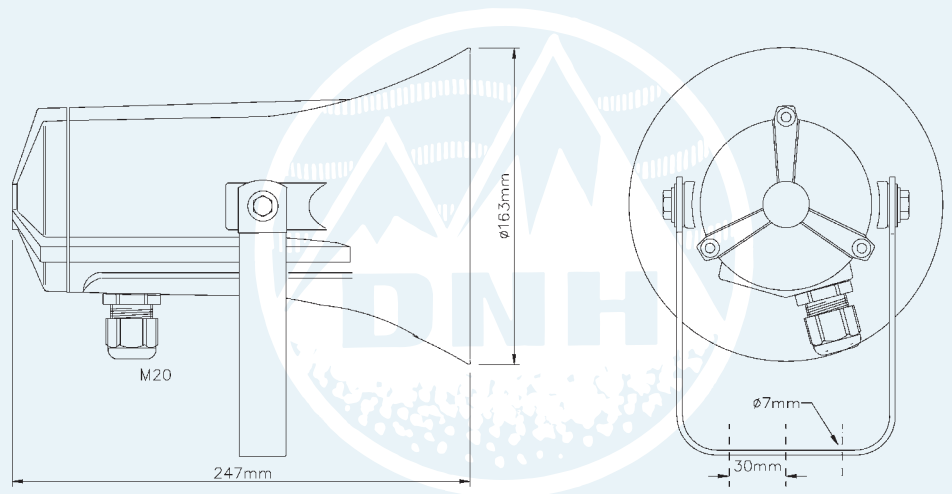
HS-15



SAFE-15



HS-15S



Model	HS-15	HS-15 S
Material/Colour	Alu/RAL 7035	Alu/RAL 7035
Rated/max power, Watt	15W/20W	15W/20W
SPL/1W/1m(dB)	107 dB	107 dB
Effective freq.range, Hz	350-7500 Hz	350-7500 Hz
Max/Min.amb.temp. (IP)	150°C/-50°C (67)	150°C/-50°C (55)
Dimensions, mm	Ø163x247	Ø163x247

# “The Sound Ambassador”



**The DNH Aluminium horn speakers have been supplied to many different projects throughout the world. Among them:**

- Channel Tunnel between England and France
- Changi Prison, Singapore
- London Underground, England
- Rendsburg-Tunnel, Germany
- Tramway in Augsburg, Germany
- Electronuclear Plant, Brazil
- ASCO nuclear plant, Spain (HSS-15)



## **HSS-15**

Stainless Steel  
15W/20W  
107 dB  
350-7500 Hz  
210°C/-55°C (67)  
Ø169x245

## **SAFE-15**

Alu/RAL 9010 or 3000  
15W/30W  
95 dB  
500-7000 Hz  
200°C/-50°C (67)  
105x210x59

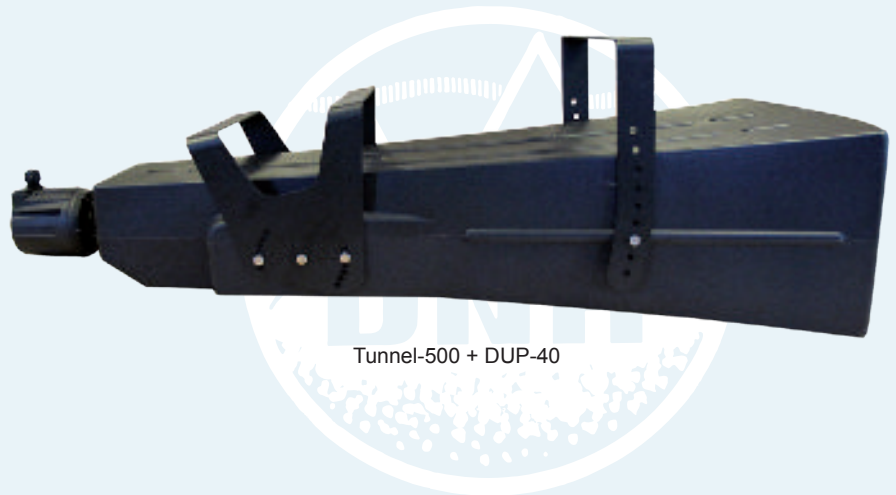


# Alarm Horn Speakers

*Alarm horns have a very high SPL value for alarm purposes.*

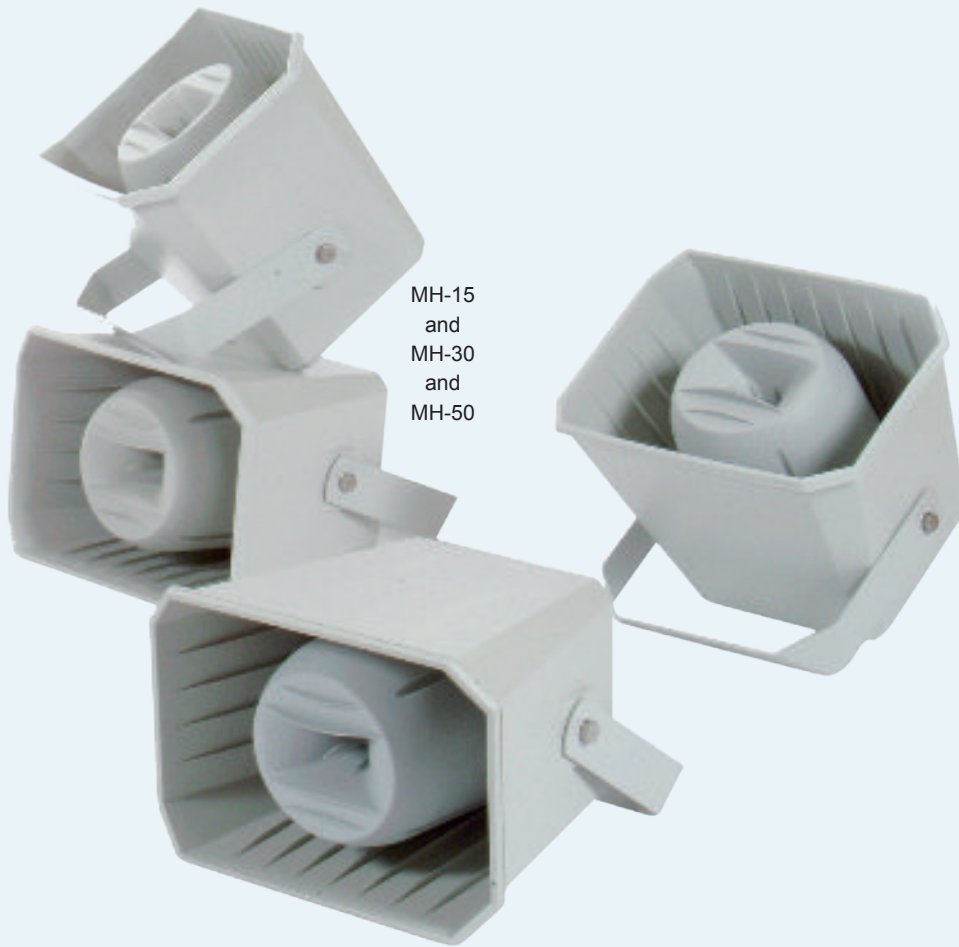
*The DNH range of Music Horns represents a unique sound performance. The precise sound quality combined with the high sensitivity make these models superb for music reproduction.*

*MH-30 has an extended frequency range and the powerful output of the MH-50 (120 dB at 1 m) will provide coverage over very large areas. Music Horns are used in sports stadia, cruise liners, school yards, swimming pools, leisure parks and mountain resorts. Increased IP-protection is also possible.*



Model	DH-50 with DS-100	Tunnel-500 with DUP-40	HPA-60
Material/Colour	Fiberglass, Alu. LM 6/RAL 7035	VO	Alu PA 6/RAL 7035
Rated/max power, Watt	100W	40W	60W
SPL/1W/1m(dB)	112 dB	114 dB	110 dB
Effective freq.range, Hz	200-5000 Hz	350-8000 Hz	310-8000 Hz
Max/Min.amb.temp. (IP)	200°C/-50°C (67)	90°C/-50°C (67)	150°C/-50°C (67)
Dimensions, mm	Ø508x664	507x295x1310	Ø237x250

# Music Horn Speakers



MH-15  
and  
MH-30  
and  
MH-50



**Music horns have had an excellent reputation for many years and have been chosen for many different projects throughout the world. Among them:**

- Meribel Stadium, France
- Wimbledon All England Tennis Club
- Royal Caribbean Cruise Liners
- Hurtigruta: "Trollfjord", Norway
- Carnival Cruise Line
- Narvik slalom and down hill, Norway
- Olympic Games in Athens, Greece



## **MH-15**

PP,ABS RAL 7035

15W/25W

99 dB

140-16000 Hz

90°C/-40°C (55)

362x252x310

## **MH-30**

PP,ABS RAL 7035

30W/50W

96 dB

85-16000 Hz

90°C/-40°C (55)

362x252x310

## **MH-50**

PP,ABS RAL 7035

50W/80W

104 dB

140-16000 Hz

90°C/-40°C (55)

262x252x310



# Explosion Proof Speakers

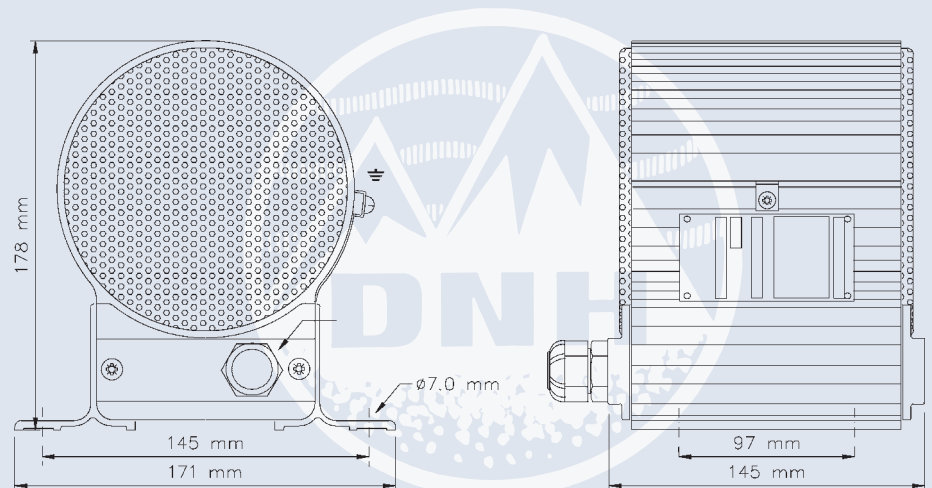
The unique DNH Ex-range satisfies your requirements for flameproof loudspeakers. DNH offers a wide variety of heavy duty EEx-speakers, specially designed for use in military and civil installations where gases and other explosives make special precautions necessary.

CAREEX-6(T)x2 and BA-56 EExeN(T)x2 are products with two separated loudspeakers, two transformers and two terminals in one Ex housing. (A & B system).

The high flexibility of our production system enables DNH to meet the customers requirements for specialities such as special colour, cables, transformers and cable glands.



(T): The model is delivered with transformer



Model	DST-40 EEx/DH-30	DSP-15 EExmN	DSP-15 EExmNL	DHP/DST-40 EExeN	CM-6 EExmN	HP-20EExIIN
Material/Colour	Alu/RAL 9035/Vestamid	PA/Black	Alu/RAL 9035/Vestamid	Alu/RAL 9035/Vestamid	PA/Black	PA/Black
Rated/max power, Watt	40W/40W	15W/25W	15W/25W	40W	6W	20W
SPL/1W/1m(dB)	111 dB	105 dB	109 dB	110 dB	85 dB	110 dB
Effective freq.range, Hz	300-5000 Hz	380-7000 Hz	330-7000 Hz	330-7000 Hz	300-20000 Hz	310-8000 Hz
Max/Min.amb.temp. (IP)	50°C/-50°C (67)	50°C/-50°C (67)	55°C/-55°C (67)	55°C/-53°C (67)	40°C/-20°C (67)	50°C/-50°C (67)
Dimensions, mm	Ø325x515	186x207x144	342x272x197	590x365x175	137x137x53	Ø237x286

# “Design and Performance”



## EEx References:

- Staffjord
- Oseberg øst
- Åsgård A & B
- Visund
- Britannia
- Snorre B
- GEAD
- Kollsnes
- Valhall
- Kvitebjørn
- Grane
- Balder
- Ringhorne
- Huldra
- Athena FPSO
- Ekofisk
- Piper Bravo
- Njord
- Brent
- Beryl
- Gjøl
- Kåstø Gassled

## Others:

- Hibernia, Canada
- N’Kossa, Congo
- Kazakhstan
- USAN, Nigeria
- Djeno, Kongo
- Shell platforms, Malaysia
- Petrobras platforms, Brazil
- AKPO, Nigeria
- Jasmine, North Sea



HS-15 EExmN	HS-8 EExmN	HS-15 EExiIN	CAREEX-6 CAPEEX-6	CAREEX-36 BAREEX-36	BA-56 EExeN
Alu/RAL 7035	Alu alloy/RAL 7035	Alu/RAL 7035	Alu/Anod.	Alu/Anod.	Alu/RAL 9010 grille
15W	8W	15W	6W	6W	6W
105 dB	100 dB	107 dB	86 dB	84 dB	88 dB
410-7000 Hz	550-7000 Hz	370-7000 Hz	160-16000 Hz	180-15000 Hz	160-15000 Hz
60°C/-50°C (67)	50°C/-50°C (67)	50°C/-50°C (67)	40°C/-20°C	40°C/-20°C	40°C/-20°C
Ø163x247	Ø124x141	Ø163x247	Ø178x171x145	146x135x88	Ø200x172



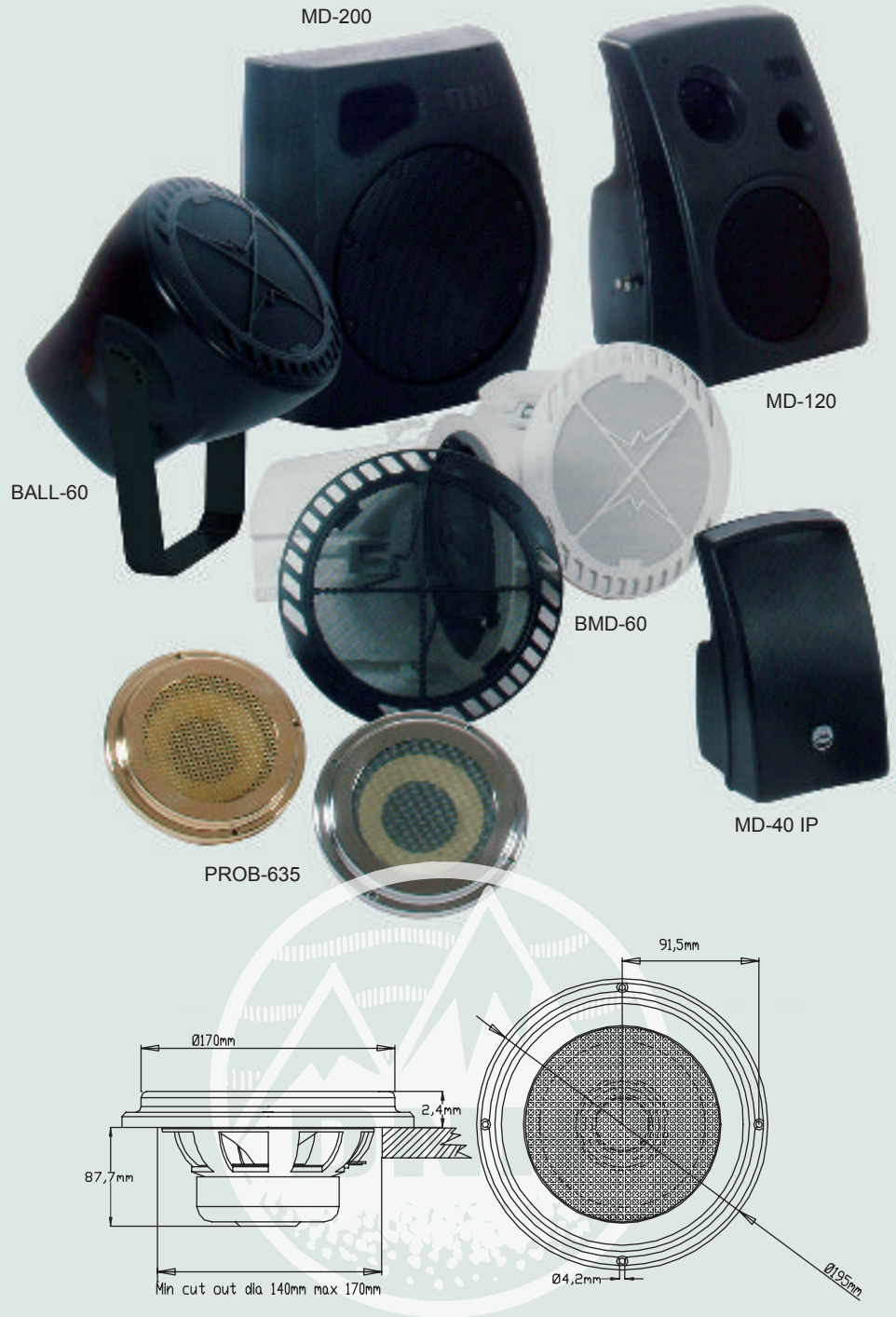
# Music Masters

The DNH MD-series and professional range of models are designed for applications where a combination of high quality music reproduction and clear public address are required.

These models have an exceptional frequency range and an impressive ability to transmit a distinct and very natural sound, combined with high power output.

The selection of models provides different solutions for different applications and are suitable for use in environments such as shopping malls, restaurants, bars, hotels, churches, conference rooms etc.

MD-40IP is available with IP 55.



Model	BMD-60	MD-120	MD-200	BALL-60
Material/Colour	ABS/Black/White	PE,Black	PE/Black	PE/Black/White
Rated/max power, Watt	60W/100W	120/150W	200W/300W	60W/100W
SPL/1W/1m(dB)	90 dB	91 dB	100 dB	90 dB
Effective freq.range, Hz	45-20000 Hz	35-20000 Hz	60-20000 Hz	45-20000 Hz
Max/Min.amb.temp. (IP)	90°C/-40°C(44)	90°C/-40°C (44)	90°C/-40°C (54)	90°C/-40°C(44)
Dimensions, mm	Ø292x205	475x326x330	430x485x320	Ø300x300

# “The Height of Performance”



## Music Masters, References:

- Lisbon Z00, Portugal
- Football stadium, Leverkusen, Germany
- Swimming pools, Paris
- Airport Hahn, Germany
- Trud stadium, Russia
- Football stadium, Troyes, France
- Lorient Museum, France



### MD-40

ABS/Black/White  
40/60W  
85 dB  
70-20000 Hz  
90°C/-40°C (44)  
148x155x186

### MD-60

ABS/Black/White  
60/100W  
90 dB  
45-20000 Hz  
90°C/-40°C (44)  
203x335x250

### MD-300

PE/Black  
300/300W  
96 dB  
35-20000 Hz  
90°C/-40°C (44)  
590x400x400

### Prob-635

Solid Brass/Stainless Steel  
30W /60W  
90 dB  
55-20000 Hz  
90°C/-40°C  
Ø195x90

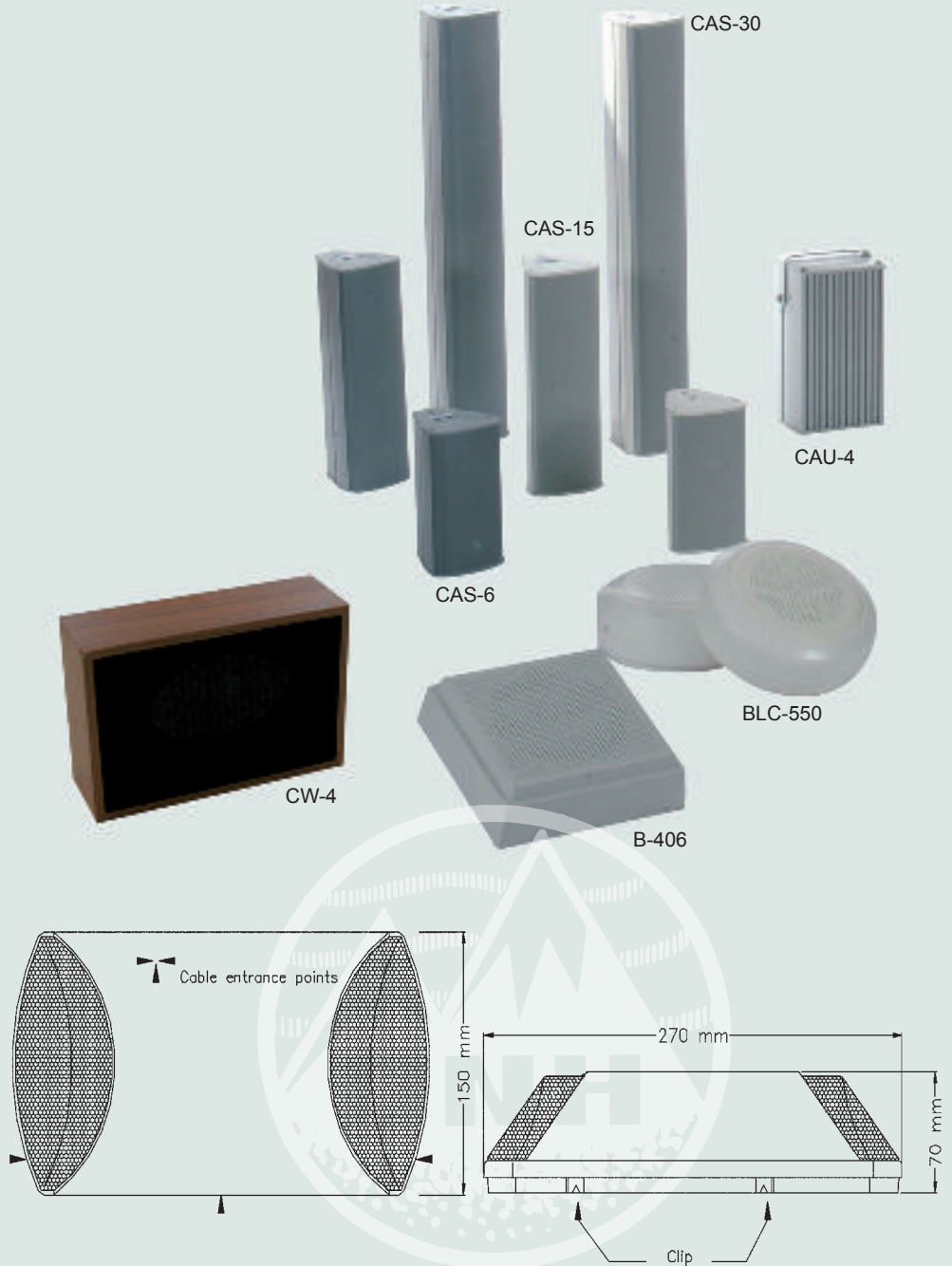


# Cabinet Loudspeakers

*DNH offers a wide range of cabinet loudspeakers for different applications. Common for all models are easy installation, colour options, and a nice design that always will be a comfort to the eye. Ideal for public address and background music systems.*

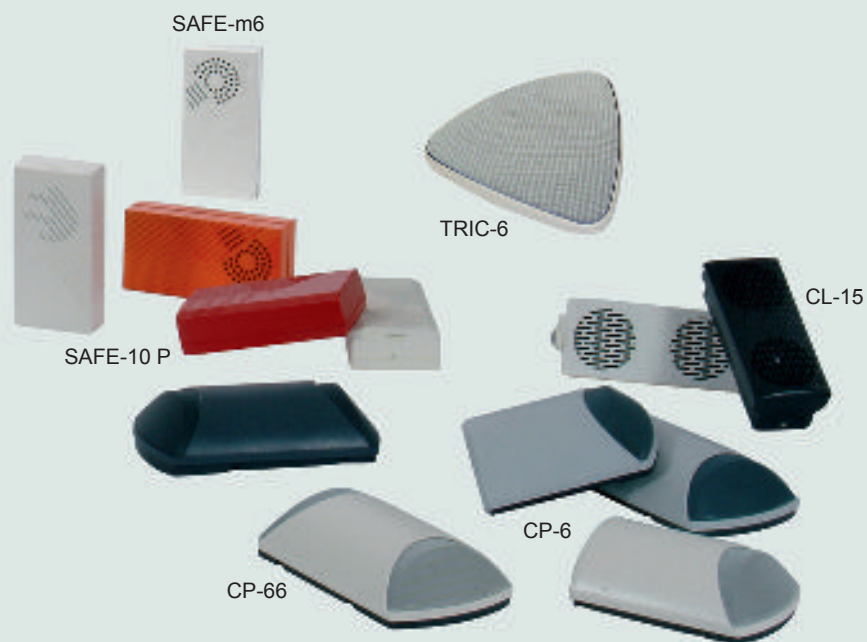
*Several models are suitable for both indoor and outdoor use.*

*Our cabinet models are designed for use in public places, airports, churches, conference rooms, sports arenas as well as industrial environments.*



Model	B-406	BLC-550	CW-4	CAU-4	CAS-6	CAS-15
Material/Colour	ABS/RAL-9002	ABS/RAL-9010	Particle board/nut	Alu/RAL-7035	Alu/PA/white/anod.	Alu/PA/white/anod.
Rated/max power, Watt	6W/8W	6W/10W	4W/8W	4W/8W	6W/10W	15W/20W
SPL/1W/1m(dB)	92 dB	90 dB	90 dB	90 dB	88 dB	89 dB
Effective freq.range, Hz	230-20000 Hz	140-20000 Hz	150-20000 Hz	140-16000 Hz	130-20000 Hz	120-20000 Hz
Max/Min.amb.temp. (IP)	90°C/-20°C	90°C/-20°C	90°C/-40°C	120°C/40°C (55)	110°C/-40°C(54)	110°C/-40°C(54)
Dimensions, mm	210x210x66	Ø206x85	252x171x84	128x237x106	102x111x187	102x111x307

# “Loud and Clear”



## Cabinet Speakers, References:

- Malpensa Airport, Milano, Italia
- National Public Hospital, Oslo, Norway
- Madrid Underground, Spain
- Hamburger Hochbahn, Germany
- Amman Airport, Jordan
- NSB, The Norwegian Railways
- Holy Trinity Church, Sheffield, UK
- Singaporean Coastguard, Singapore
- London Underground
- Opera Paris, France
- Polish Parliament, Poland
- Surgutneftegaz, Russia



CAS-30	Safe-m6	Safe-10P	CP-6	CP-66	CL-15	TRIC-6
Alu/PA/white/anod.	Alu/white/red	ABS/RAL-9010	ABS/RAL-9010	ABS/RAL-9010	PP Vo/black/white	ABS/RAL 9010
30W/40W	6W/10W	10W/15W	6W/10W	6W/10W	15W/20W	6W
90 dB	85 dB	85 dB	86 dB	86 dB	93 dB	88 dB
120-20000 Hz	190-20000 Hz	160-20000 Hz	150-20000 Hz	170-20000 Hz	180-20000 Hz	180-18000 Hz
110°C/-40°C(54)	150°C/-40°C (56)	90°C/-40°C (44)	90°C/-40°C	90°C/-40°C	90°C/-40°C(54)	90°C/-20°C
102x111x610	105x210x59	104x206x55	193x149x70	270x149x70	92x210x70	220x220x38

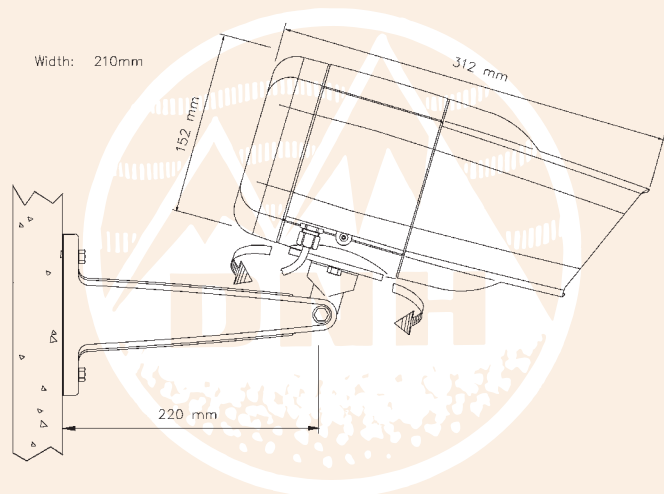


# Projectors

*The DNH projector loudspeakers represent a wide range of options.*

*These models cover multiple applications for indoor as well as outdoor use. In addition to the standard models, we offer different specialities such as weather proof and fire proof versions, and of course colour options. The ideal versions for maximum sound coverage and high performance.*

*Projectors are excellent for inside and outside installation intended for public address systems and background music, for instance in airports and railways.*



Model	CAR-4	CAR-6	CAP-15W	Prosound-300	DP-10
Material/Colour	Alu/white or anod.	Alu/White or anod.	Alu/White or anod.	PA/RAL 9005 or 7035	ASA/RAL 7035
Rated/max power, Watt	4//6W	6W/10W	15W/20W	30W/50W	10W/15W
SPL/1W/1m (dB)	90 dB	90 dB	92 dB	85 dB	94 dB
Effective freq.range, Hz	150-16000 Hz	150-20000 Hz	150-20000 Hz	125-20000 Hz	140-16000 Hz
Max/Min.amb.temp. (IP)	110°C/-40°C	110°C/-40°C	110°C/-40°C(55)	90°C/-20°C(54)	150°C/-40°C(55)
Dimensions, mm	175x152x90	175x152x175	Ø146x200	157x178	152x315x210

# “Design and Performance”



## References:

- Metro in Athens, Greece
- Amman Airport, Jordan
- London Underground, England
- Malpensa Airport, Milano, Italy
- Carnival Cruise Line
- RCCL Cruise Line
- Underground in Madrid, Spain
- Heathrow Airport, London
- Olympic Games, Greece
- Schiphol Airport, Amsterdam



DP-30	DPD-10	DPD-30	PS-6	VEP-6	VEP-15	BIVEP-6
ASA/RAL 7035	ASA/RAL 7035	ASA/RAL 7035	PA/RAL 7035	ABS/RAL 7035	ABS/Vo/White	ABS/RAL 7035
30W/50W	10W/15W	30W/50W	6W/15W	6W/15W	15W/20W	6W/15W
89 dB	91 dB	88 dB	85 dB	87 dB	92 dB	82 dB
110-20000 Hz	140-16000 Hz	100-20000 Hz	150-18000 Hz	170-20000 Hz	150-20000 Hz	155-20000 Hz
150°C/-40°C(55)	150°C/-40°C(55)	150°C/-40°C(55)	120°C/-40°C(56)	90°C/-40°C(44)	90°C/-40°C(55)	90°C/-50°C(44)
152x315x210	152x210x455	152x210x455	157x160	110x127	Ø162x205	110x167



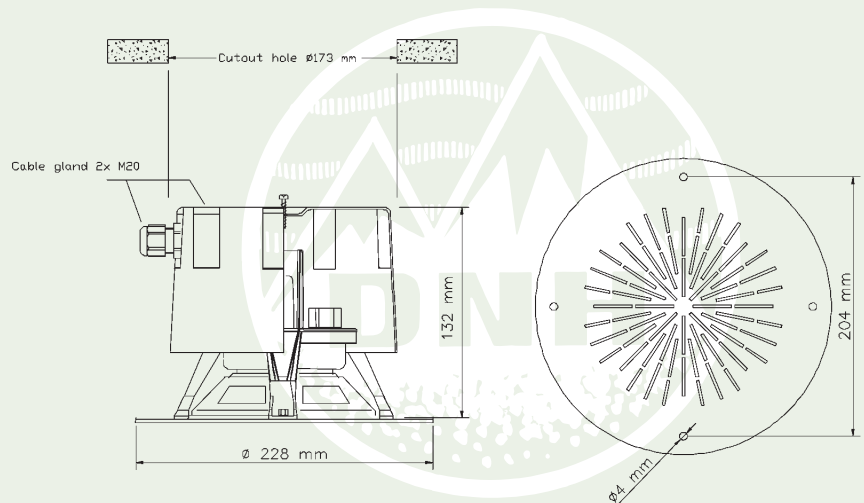
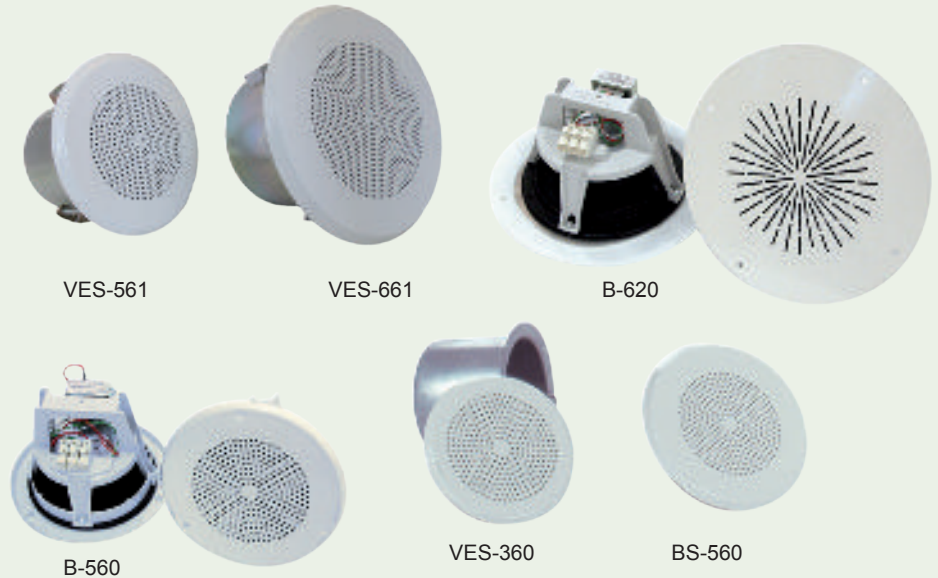
# Metal Ceiling Speakers

*DNH offers several models of metal ceiling speakers in different design and shape. Mounting ranges from the conventional screw fitted type (B-560, B-620 and BS-660), to easy spring mounting (BK-560).*

*The models BS-560, BS-660 and BK-560 will have no visible screws.*

*The prob versions of B-560 and B-620 are fitted with two-way loudspeaker systems for extended frequency range and high power.*

*The metal ceiling speakers are available with dust-boxes in V0 plastic or steel fire-domes.*



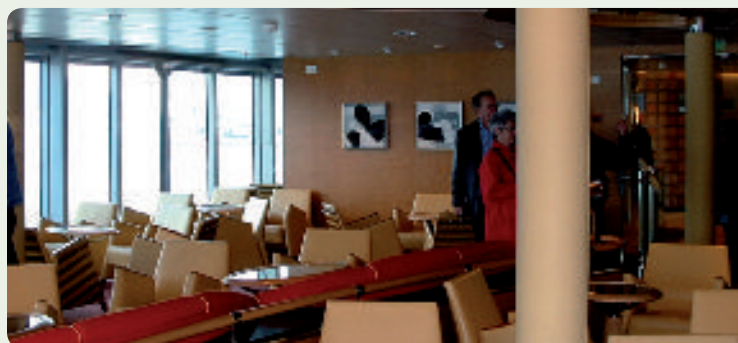
Model	B-560	B-620	BS-560	VES-561	VES-661
Material/Colour	PA V0/Alu/RAL 9010	PA V0/Alu/RAL 9010	Alu/RAL 9010	Steel,Alu/RAL 9010	Steel/Alu/White
Rated/max power, Watt	6W/10W	6W/15W	6W/15W	6W/8W	6 W / 10 W
SPL/1W/1m(dB)	90 dB	92 dB	90 dB	90 dB	92 dB
Effective freq.range, Hz	110-20000 Hz	80-20000 Hz	110-20000 Hz	180-12000 Hz	130 – 20000 Hz
Max/Min.amb.temp. (IP)	110°C/-40°C	110°C/-40°C	90°C/-40°C	120°C/-20°C	90°C/-20°C
Dimensions, mm	Ø165x105	Ø228x109	Ø167x95	Ø165x112	Ø220x129

# “High Performance”



## Ceiling speakers, references :

- Malpensa Airport, Italy
- Carnival Cruise Line
- Holland American Line
- McDonalds Restaurants
- Marks & Spencer, Athens, Greece
- London Underground, UK
- BPC 1,2,3 (French army)



### **BK-560**

PA V0/Alu/RAL 9010  
6W/10W  
90 dB  
100-20000 Hz  
110°C/-40°C  
Ø165x105

### **Prob-560**

PA V0/Alu/RAL 9010  
30W/50W  
88 dB  
60-20000 Hz  
90°C/-40°C  
Ø165x117

### **Prob-620**

PA V0/Alu/RAL 9010  
30W/50W  
90 dB  
60-20000 Hz  
90°C/-40°C  
Ø228x127

### **Prob-635**

Solid Brass or Stainless steel  
30W/60W  
90 dB  
55-20000 Hz  
100°C/-50°C  
Ø195x90

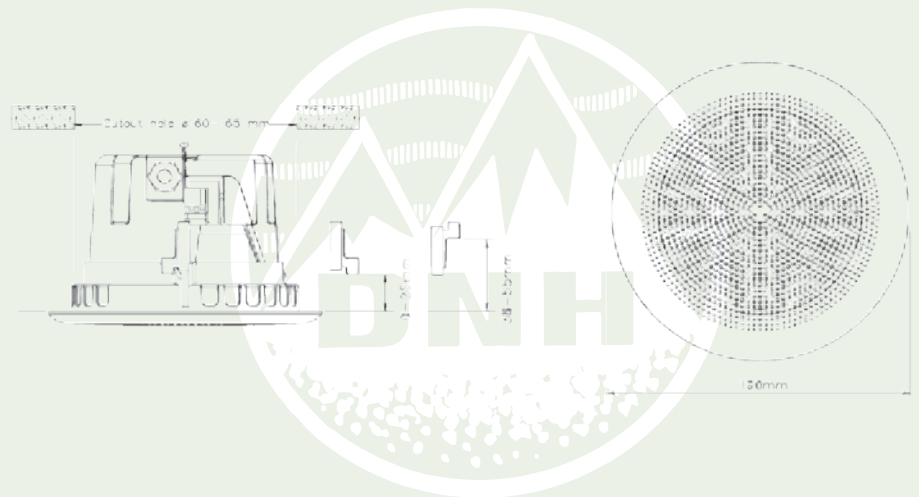


# Plastic Ceiling Speakers

*DNH offers an extensive range of ceiling speakers that satisfies the most demanding customer. Superbly engineered for simple and safe installation and the nice design makes DNH the best choice for ceiling speakers.*

*Our flexible production offers even more options to choose from than our standard models, with regard to colours and other amendments. The good sound quality is indisputable. The ingenious mounting systems make the installation easy, and there are no visible screws.*

*The BP-models can be fitted with a two-way loudspeaker element for extended frequency range and high power or with a dust box (BPF)*



Model	B-650	BMD-60
Material/Colour	ABS grille/white	ABS/RAL 9010
Rated/max power, Watt	6W/15W	60W/100W
SPL/1W/1m(dB)	90 dB	90 dB
Effective freq.range, Hz	140-18000 Hz	45-20000 Hz
Max/Min.amb.temp. (IP)	90°C/-20°C(42)	90°C/-40°C (44)
Dimensions, mm	Ø232x129	Ø292x205

# “Design and Performance”



BMD-60



BP-860



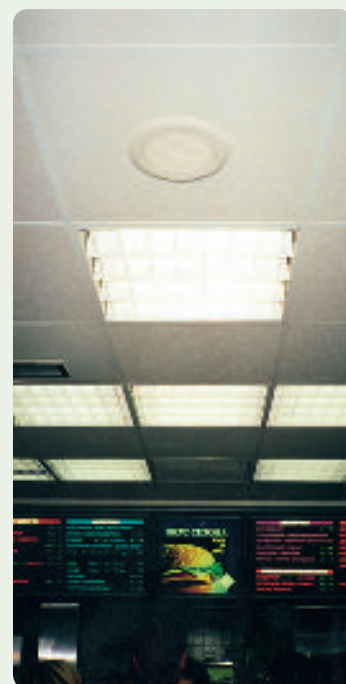
B-650



BP-560



BP-660



## References:

- Malpensa Airport, Italy
- Carnival Cruise Line
- RCCL Cruise Line
- Holland American Line
- McDonalds Restaurants
- Marks & Spencer, Athens, Greece
- London Underground, UK
- Hotel Pedro, Portugal



### BP-560

PA ABS/RAL 9010

6W/10W

90 dB

110-15000 Hz

90°C/-20°C

Ø190x120

### BP-660

PA ABS/RAL 9010

6W/20W

93 dB

100-20000 Hz

90°C/-20°C

Ø237x133

### BP-860

ABS/RAL 9010

6W/20W

90 dB

45-20000 Hz

90°C/-40°C

Ø290x210



# Voice Alarm

## Voice alarm

In public buildings and common areas as airports and railways there should be installed a voice and evacuation system.

Of course it is imperative that any system designed to provide the public with information about evacuation and danger, must continue to operate throughout the duration of the incident or until such time as everybody has been removed from the area of danger.

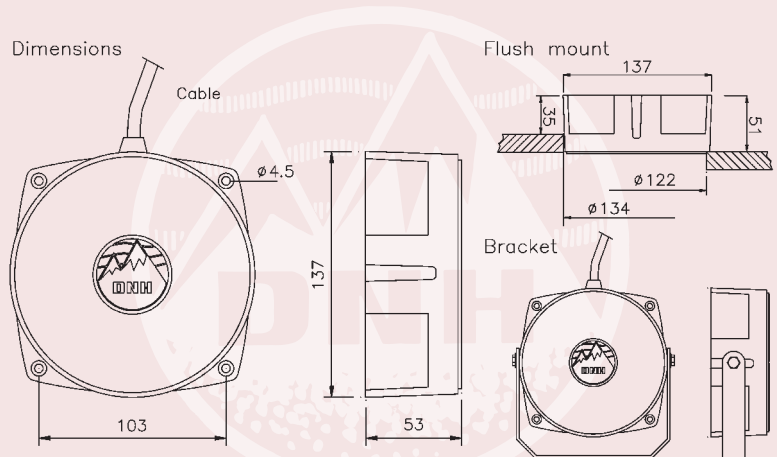
## VES 360 /561 /661

With the VES-range our engineers have come up with ceiling speakers uniquely designed for many applications.

Easy installation combined with passivated steel fire dome meets both economic demands and international regulations.

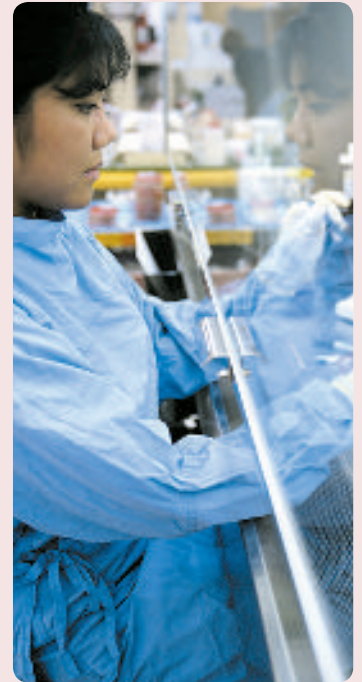
The DNH range of clean room loudspeakers (CR) is developed specially to meet the demand for cleanliness in certain environments such as production facilities for micro-electronics, pharmaceutical industry, photo industry and laboratories.

Our Aqua-30 underwater loudspeaker is 100% water proof and has excellent performance in or out of water. Unique design and supplied with 5 m cable.



Model	BLC-550 CR	VES-661	SAFE-561-(54)	CR-6	VEP-15
Material/Colour	ABS/RAL 9010	Steel/Alu/White	Steel/RAL 9010	ABS/RAL 9010	ABS/Vo/White
Rated/max power, Watt	6W/15W	6 W / 10 W	6W	6W/30W	15W/20W
SPL/1W/1m(dB)	88 dB	92 dB	90 dB	85 dB	92 dB
Effective freq.range, Hz	140-12000 Hz	130 – 20000 Hz	180-13000 Hz	280-20000 Hz	150-20000 Hz
Max/Min.amb.temp. (IP)	90°C/-20°C	90°C/-20°C	90°C/-20°C	90°C/-20°C	90°C/-40°C(55)
Dimensions, mm	Ø206x85	Ø220x129	Ø169x65	Ø137x53	Ø162x205

# Clean Room Specialities



## Applications:

- Clean room applications (CR)
- Swimming pools

## EN 54-24

Safe-561-54 is certified according to EN 54-24



VES-561	VEP-6	BIVEP-6	Tunnel-500/Dup-40	Aqua-30	CL-15
Steel,Alu/RAL 9010	ABS/RAL 7035	ABS/RAL 7035	Plastic V0	ABS/NCS 1070-B	PP Vo/Black/White
6W/8W	6W/15W	6W/15W	40 W / 60 W	20W/30W	15W/20W
90 dB	87 dB	82 dB	114 dB	105 dB	93 dB
180-12000 Hz	170-20000 Hz	155-20000 Hz	350 – 8000 Hz	80-20000 Hz	180-20000 Hz
120°C/-20°C	90°C/-40°C(44)	90°C/-50°C(44)	90°C/-40°C	90°C/-20°C(68)	90°C/-40°C(54)
Ø165x112	110x127	110x127	507x295x130	137x137x53	92x210x70