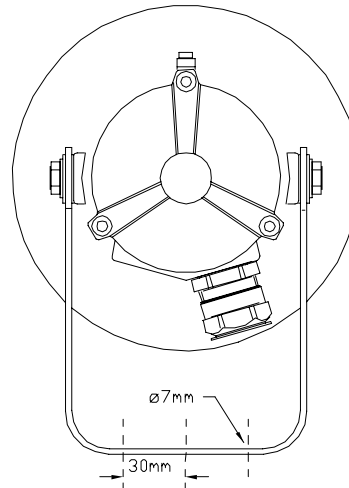
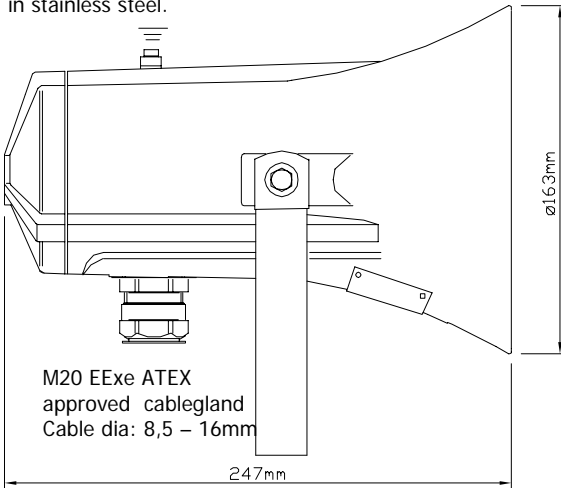




ISO 9001 CERTIFIED

Bracket and all outside nuts and screws
in stainless steel.



Transformer:
100 V line (optional 70V, 50V)

Primary nominal tapings:

1 : 2	15,0 W
2 : 3	7,5 W
3 : 4	3,5 W
1 : 3	2,8 W
2 : 4	1,3 W
1 : 4	0,7 W

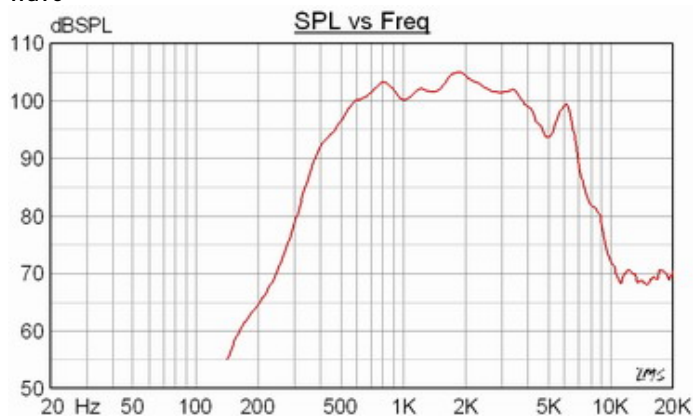
1 = Red, 2 = Yellow
3 = Green, 4 = Blue

Delivered with 1 x M20 ATEX approved cable gland and 1 x M20 ATEX approved blanking plug.

Certified by / Certification code / Number: NEMKO / EEx d IIB+H₂ T6 / 98 ATEX 104



Sound pressure levels at different frequencies at 1W/1m sine wave



Material / Color Aluminum alloy / RAL 7031
Mounting Bracket
Termination d-chamber, screw terminals
Weight w/ transformer 2,8 kg
IP-rating 67
Max / min amb temp 40 °C / -20 °C
Rated / max power 15 W / 15 W
SPL 1W/1m 105 dB
SPL rated power 116 dB
Effective freq. range 410 – 7000 Hz
Dispersion (-6dB) 1kHz / 4kHz 140° / 40°
Options Impedances, colors, labels

Installation, Operation and Maintenance Procedures

- When mounting the loudspeaker please ensure that it is re-assembled in the same manner in which it was received. Fasten the bracket to wall with 1-3 screws and ensure to use all washers in the same position that the loudspeaker is delivered with. (To isolate the main body from the bracket)
- To change the position of the loudspeaker, please adjust the bracket (by loosening / tightening the screws) as required.
- For optimum performance, always use the correct voltage / power and operate within the frequency limits as stated.
- Use only certified/specified cable glands and blanking plugs.
- Do not open loudspeaker when energized.
- The aluminum surface of the loudspeaker should be regularly treated with paint at the same interval as with other similar outdoor equipment.
- Fasten lid screws with a torque of 2 - 3 Nm to assure the IP rating.
- If the Ex-loudspeaker is to be earthed, it must be done correctly using the specially marked screws.
- This loudspeaker is supplied with a 2 year warranty against defective materials and workmanship.

