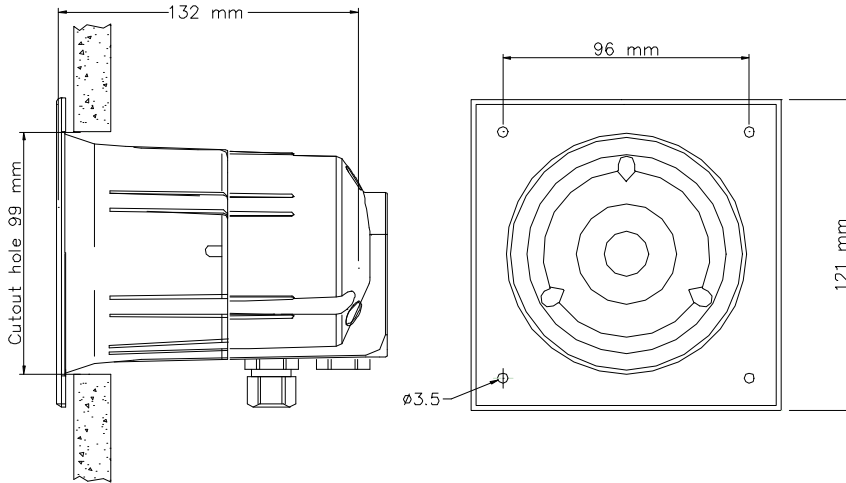




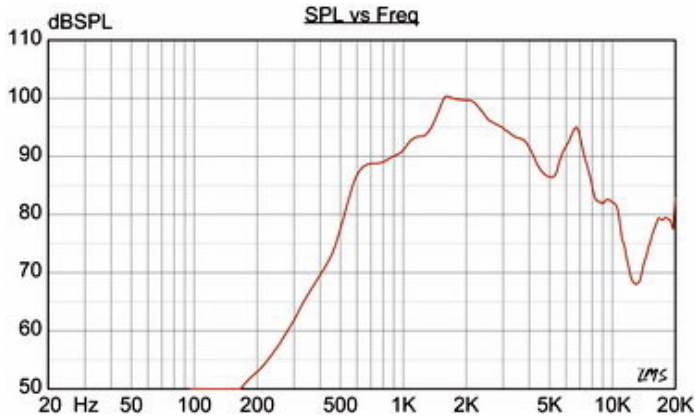
ISO 9001 CERTIFIED



Transformer : Combined  
 70 / 100 Volt line  
 (White) : (Green) 70V  
 (White) : (Red) 100V

Secondary nominal tapings:  
 C : 6 6W  
 C : 3 3W  
 C : 1,5 1,5W  
 C : 0,5 0,5 W

Sound pressure levels at different frequencies at 1W/1m sine wave.



Material / Color....Polyamide V0 halogen free / RAL 7035  
 Mounting ..... Insertion  
 Termination ..... Inside screw terminal  
 Weight w/ transformer ..... 0,8 kg  
 IP-rating ..... 67  
 Max / min amb temp ..... 90 °C / -40 °C  
 Rated / max power ..... 6 W / 15 W  
 SPL 1W/1m ..... 100 dB  
 SPL rated power ..... 107 dB  
 Effective freq range ..... 500 – 7500 Hz  
 Dispersion (-6dB) 1kHz / 4kHz ..... 170° / 70°  
 Directivity factor, Q (2kHz) ..... 4,3  
 Options ..... Impedances, colors, labels

### Installation, Operation and Maintenance Procedures

- Install loudspeaker onto wall or ceiling with 4 screws, cut out hole according to drawing.
- For optimum performance, always use the correct voltage / power and operate within the frequency limits as stated.
- Fasten lid with a torque of 1 - 2 Nm, (when delivered without cable).
- Connect cable into a suitable junction box.
- This loudspeaker is supplied with a 2 year warranty against defective materials and workmanship.

