



DNH^{AS}

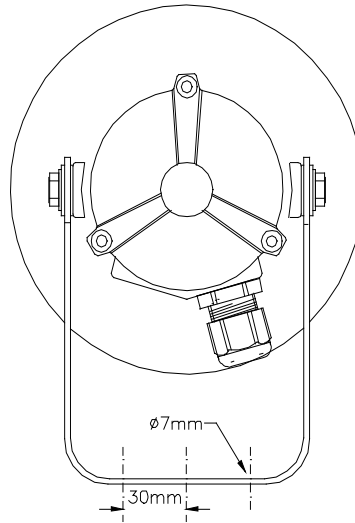
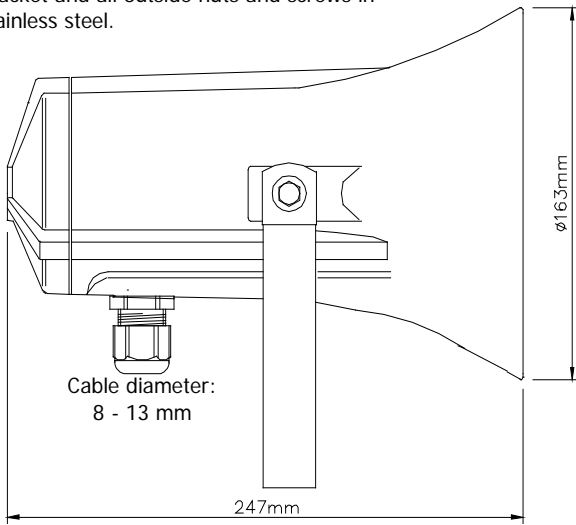
N-3770 Kragerø
NORWAY

Morrison's Public Address
www.morrisonsav.com.au
sales@morrisonsav.com.au

HS-15ST

ISO 9001 CERTIFIED

Bracket and all outside nuts and screws in stainless steel.



Combined Transformer

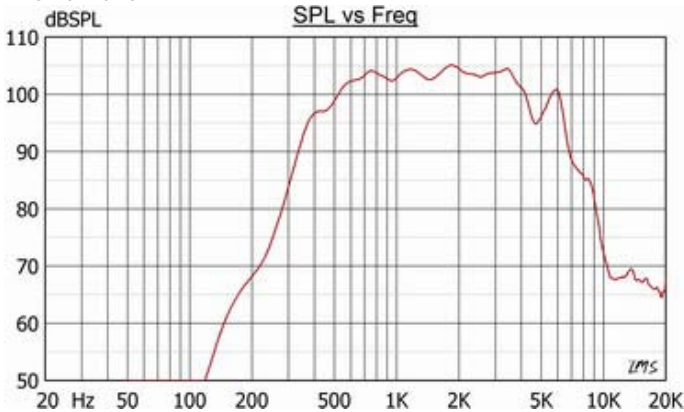
Primary connection:
5 : 7 70 Volt line
5 : 8 100 Volt line

Secondary nominal
tappings:

1 : 4	15,0 W
1 : 3	8,0 W
2 : 4	5,0 W
1 : 2	4,5 W
3 : 4	2,5 W
2 : 3	1,0 W

5 = White, 8 = Red
70V : Move red wire
from 8 to 7

Sound pressure levels at different frequencies at 1W/1m sine wave.



Material / Color Aluminum alloy / RAL 7031
 Mounting Bracket
 Termination Inside screw terminals
 Weight w/ transformer 2,7 kg
 IP-rating 55
 Max / min amb temp 150 °C / -50 °C
 Rated / max. power 15 W / 20 W
 SPL 1W/1m 107 dB
 SPL rated power 118 dB
 Effective freq range 350 – 7500 Hz
 Dispersion (-6dB) 1kHz / 4kHz 140° / 50°
 Options Impedances, colors, labels

Installation, Operation and Maintenance Procedures

- When mounting the loudspeaker please ensure that it is re-assembled in the same manner in which it was received.
- Fasten loudspeaker to wall by 1-3 screws on the bracket.
- To change the position of the loudspeaker please, adjust the bracket (by loosening / tightening the screws) as required.
- For optimum performance, always use the correct voltage / power and operate within the frequency limits as stated.
- H-15S is designed to withstand sound shocks (maximum 175 dB).
- Do not open loudspeaker when energized.
- The aluminum surface of the loudspeaker should be regularly treated with paint at the same interval as with other similar outdoor equipment.
- Fasten lid with a torque of 2 - 3 Nm.
- This loudspeaker is supplied with a 2 year warranty against defective workmanship.